

ADDENDUM #1

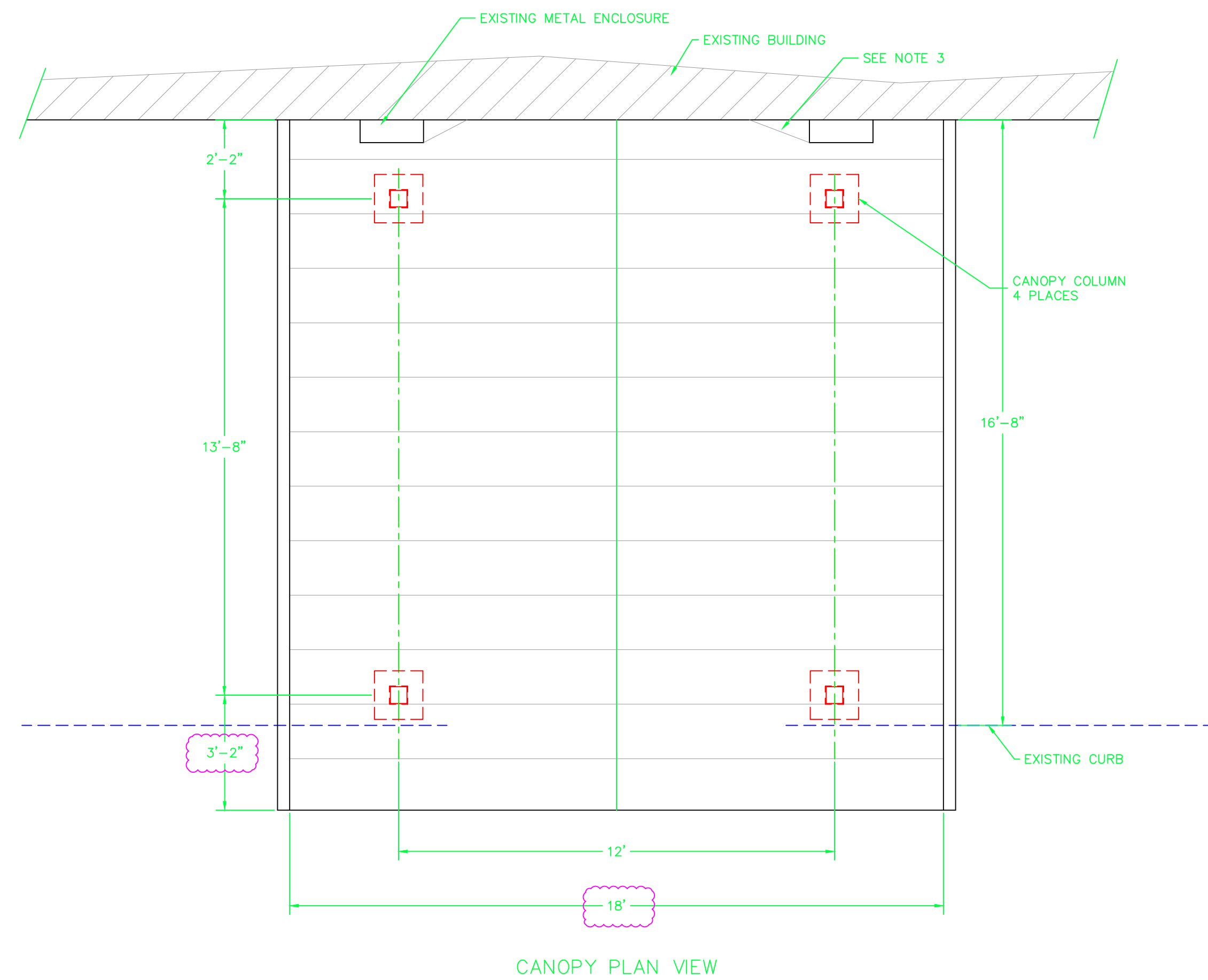
Project: Fremont Friendship Center Awning

Bid Due Date: 11am CST, Friday, February 7, 2020

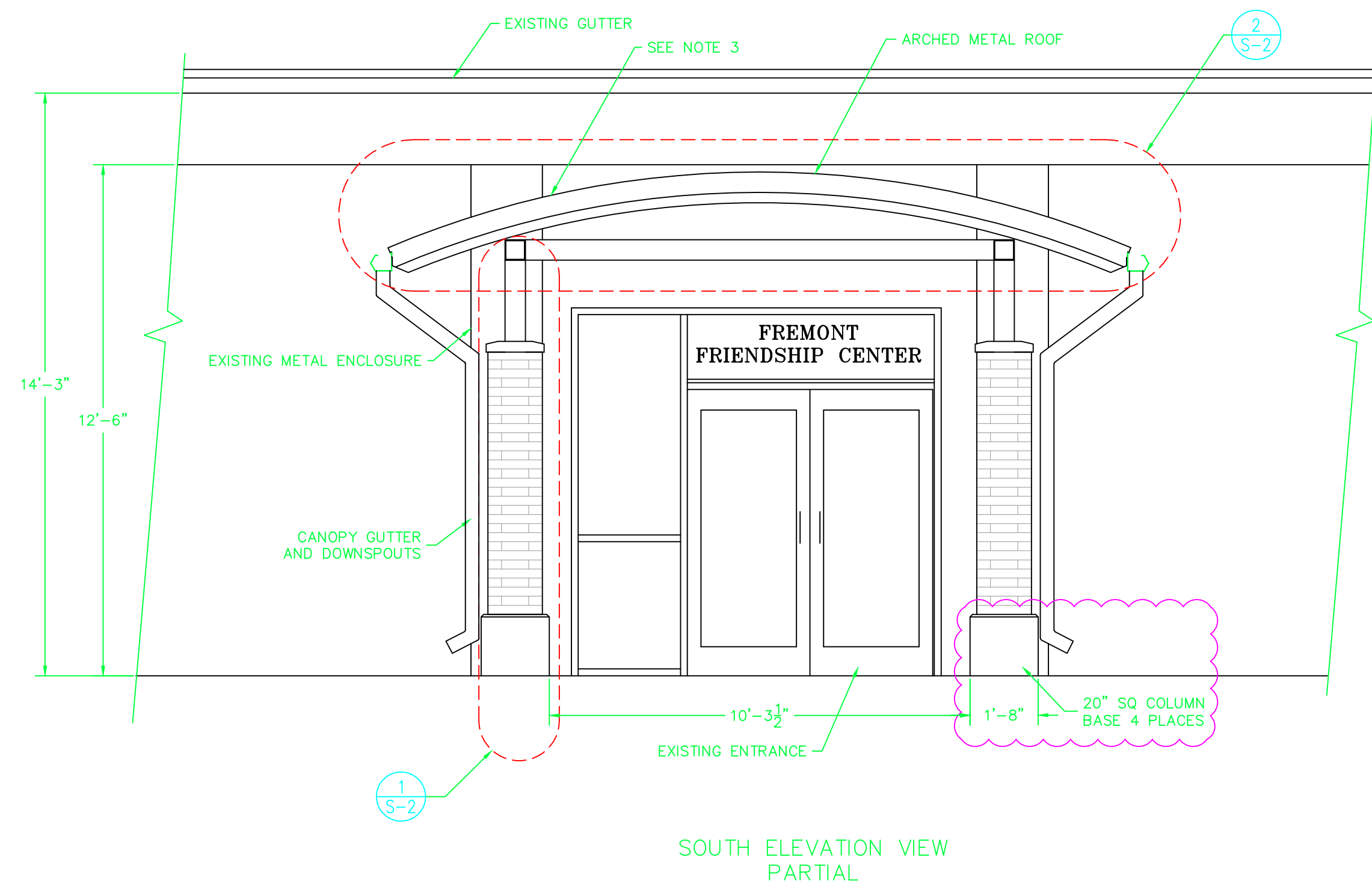
Please see attached Rev-1 of the drawings for the Fremont Friendship Center Awning.

Changes are listed in the change block of sheet 1 and include the following:

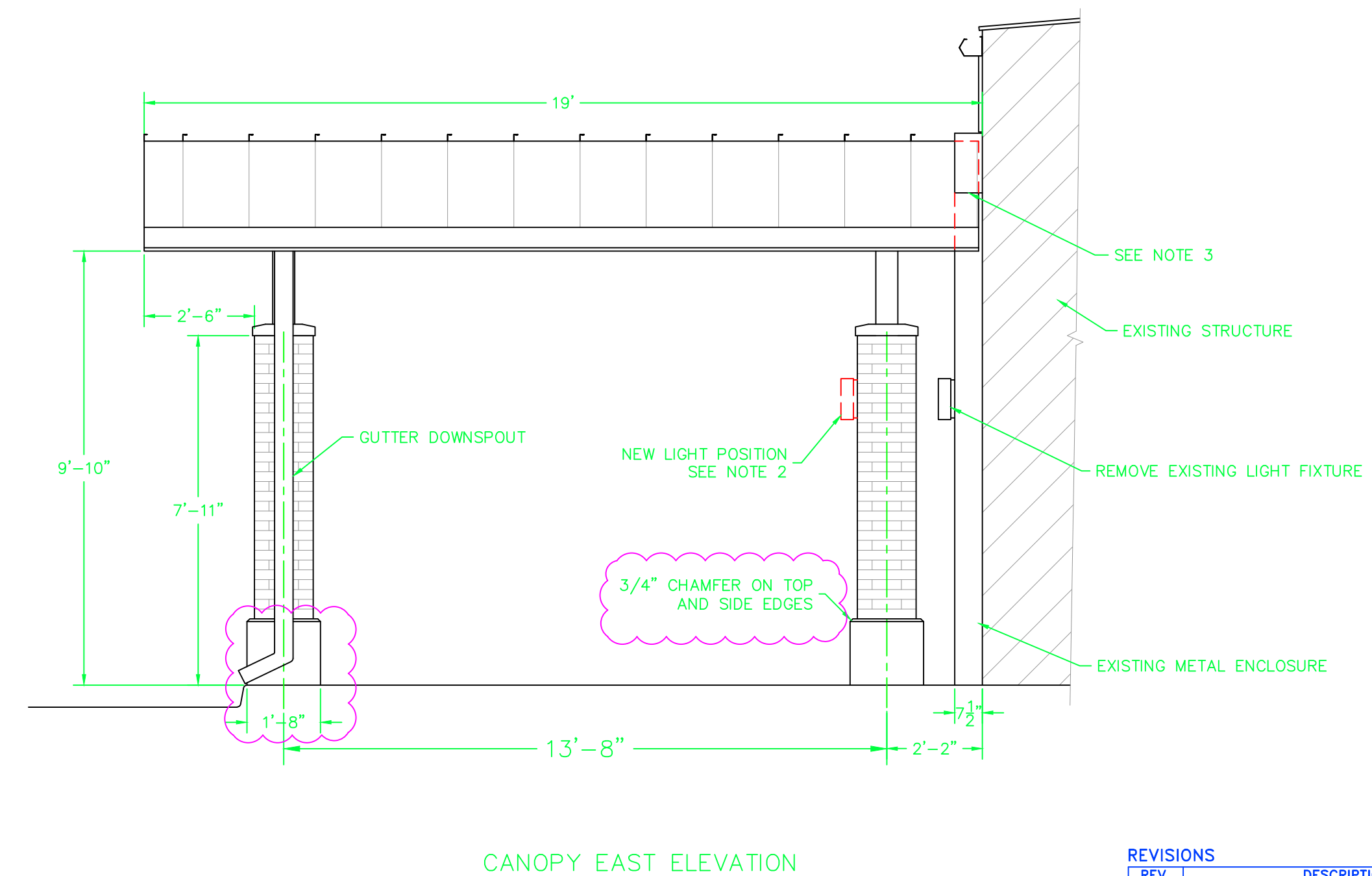
- Corrected canopy dimension to 18" width on sheet 1 plan view
- Clarified electrical wire routing in note 2 sheet 1.
- Added note 4, sheet 1 regarding the brick requirement to match existing main entrance column bricks.
- Adjusted overhang length to 3'-2" on plan view, sheet 1. (This makes the overall length of the canopy consistent with other details)
- Changed column base to 20" square with 3/4" chamfer.
- Added note 9 for section 1, sheet 2 for optional connection method.
- Removed sheathing and vapor barrier from col, section 1, sheet 2.
- Corrected arched 6x4x1/4 callout in detail 4, sheet 2.
- Clarified roof panel req, sheet 2 note 7.
- Clarified snow guard requirements, note 8, sheet 2.
- Added arch radius dims to section 2 sheet 2.
- Added caulk callout section 1, sheet 2.



CANOPY PLAN VIEW



SOUTH ELEVATION VIEW PARTIAL



CANOPY EAST ELEVATION

NOTES:
STRUCTURAL NOTES:
BUILDING CODE: 2012 IBC

ROOF LIVE LOAD	20 PSF
COLLATERAL LOAD	5 PSF

SNOW LOAD:
GROUND SNOW LOAD, P_g 25 PSF
MIN. UNIFORM ROOF SNOW LOAD 25 PSF
DRIFT SURCHARGE LOAD SLIDING AND DRIFTED SNOW LOAD PER ASCE 7-10
THERMAL FACTOR, C_t 1.0

WIND LOAD:
MAIN WIND FORCE RESISTING SYSTEM
WIND SPEED 115 MPH
IMPORTANCE FACTOR 1.0
BUILDING ENCLOSURE OPEN
EXPOSURE CATEGORY C

- GUTTER AND FLASHING COLOR TO MATCH EXISTING METAL WORK. STRUCTURAL STEEL MEMBER COLOR TO MATCH MAIN CHRISTENSEN FIELD ENTRANCE CANOPY COLOR.
- REMOVE EXISTING LIGHT FIXTURE ON METAL ENCLOSURE AND COVER OPENINGS WITH MATCHING COLOR PLATES. PROVIDE WIRING TO NEW COLUMN LOCATION AND RELOCATE FIXTURE OR PROVIDE AND INSTALL NEW FIXTURE TO MATCH ORIGINAL FIXTURE. ELECTRICAL WORK TO BE PERFORMED BY QUALIFIED ELECTRICAL CONTRACTOR. ROUTE WIRING INTERNAL TO BRICK COLUMN.
- NOTCH ROOF PANELS AND DECK AROUND EXISTING METAL ENCLOSURE AND PROVIDE FLASHING. PROVIDE ROOF CRICKET/FLASHING ON UPPER SIDE TO PREVENT WATER POOLING.
- COLUMN BRICKS TO MATCH TYPE AND COLOR OF EXISTING BRICKS AT MAIN ENTRANCE OF CURRENT STRUCTURE.

STRUCTURAL STEEL MATERIAL:

STEEL BEAMS:	ASTM A992, GRADE 50
ANGLES, CHANNELS, PLATES AND BARS	ASTM A36
STEEL TUBES	ASTM A500 GRADE B



FRIENDSHIP CENTER
CANOPY

REV 1

DWG NO. 1915

SIZE D

GLUND CONSULTING LLC
glund5251@msn.com

DRAWN BY
11-01-19
GAL

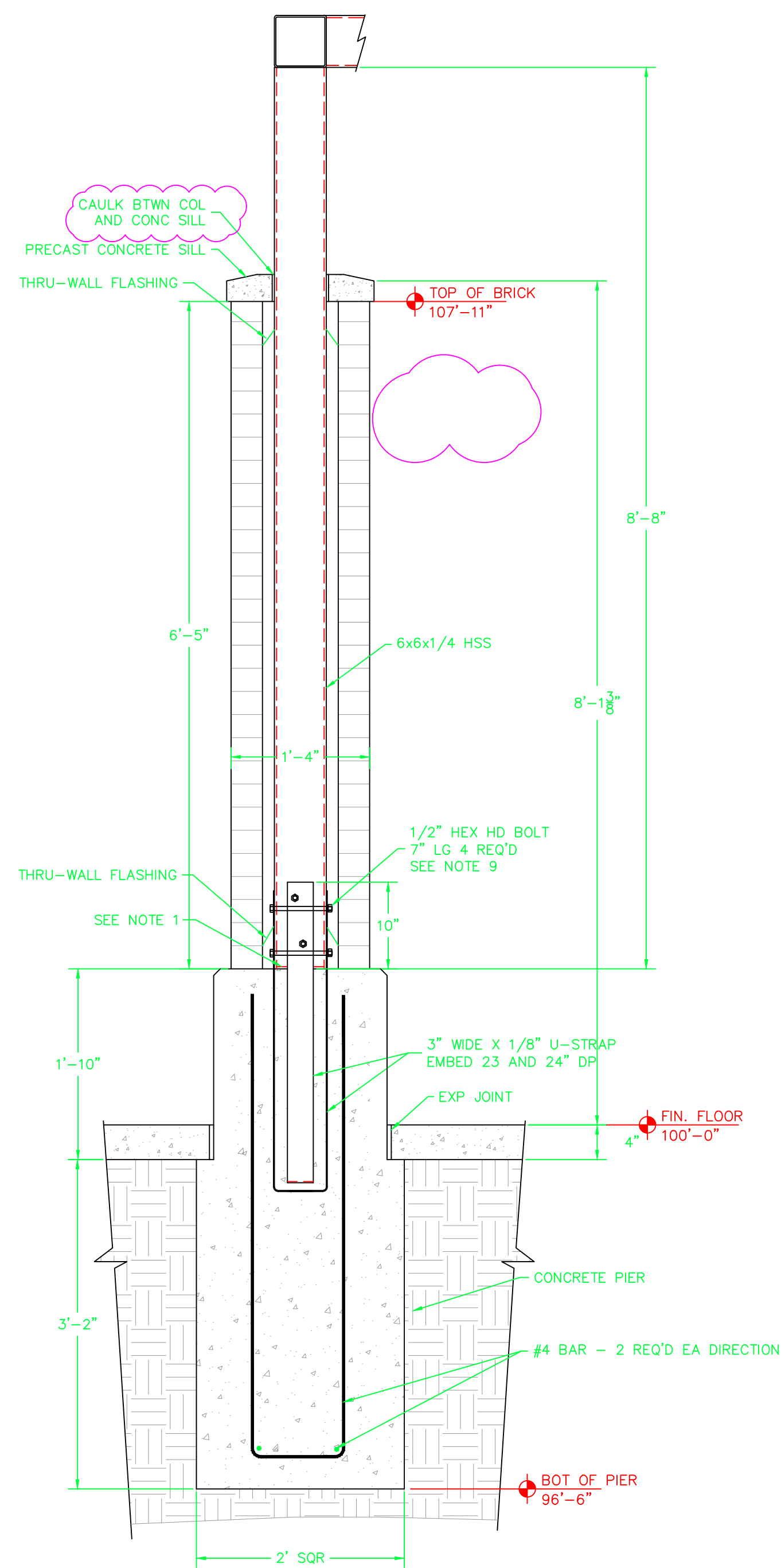
APPROVED
11-02-19
GAL

SCALE
3/8" = 1'

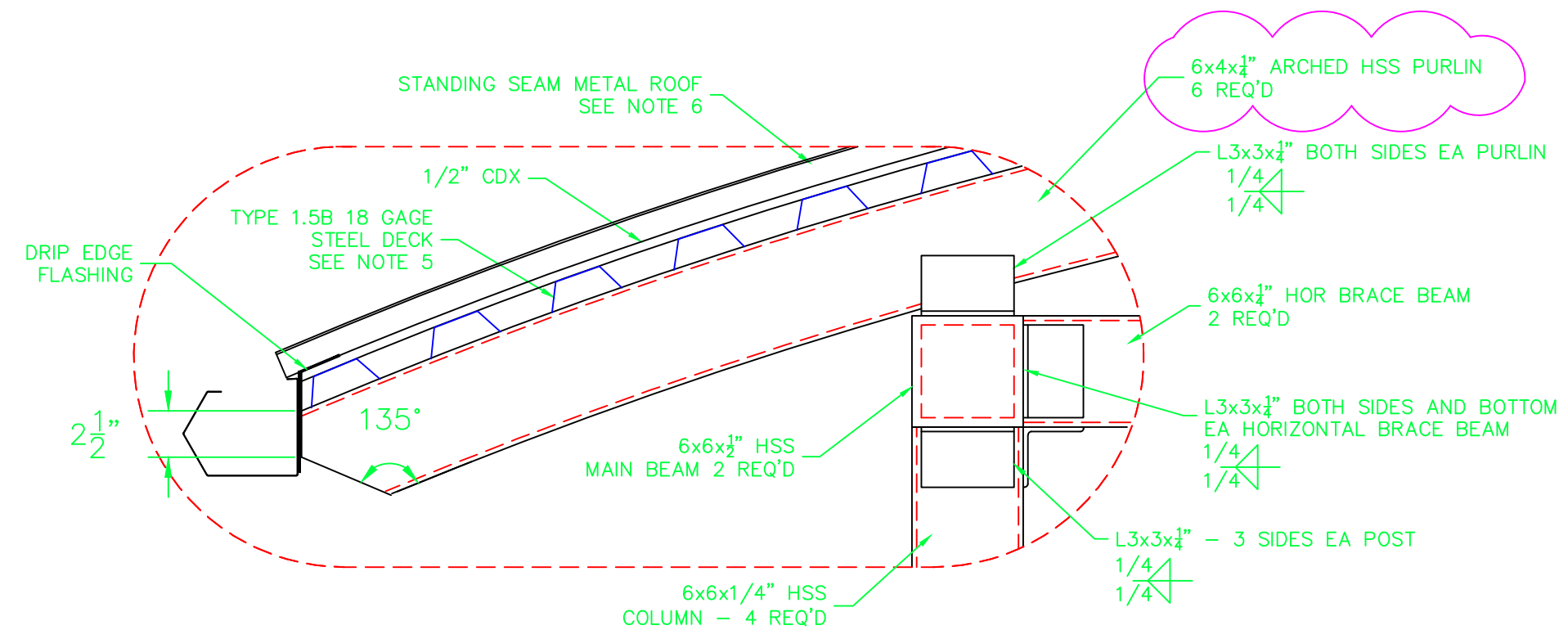
SHEET
S-1

REV	DESCRIPTION OF CHANGE	DATE	APPROVAL
R1	Corrected canopy dimension to 18" width on sh 1 plan view. Clarified elec wire routing in note 2 sh 1. Added note 4, sh 1. Adjusted overhang length to 3'-2" on plan view, sh 1. Changed column base to 20" square with 3/4" chamfer. Added note 9 for section 1, sh 2 for optional connection method. Removed sheathing and vapor barrier from col, section 1, sh 2. Corrected arched 6x4x4 callout in detail 4, sh 2. Clarified roof panel req, sh 2 note 7. Clarified snow guard requirements, note 8, sh 2. Added arch radius dims to section 2 sh 2. Added caulk callout section 1, sh 2.	01/24/20	GAL

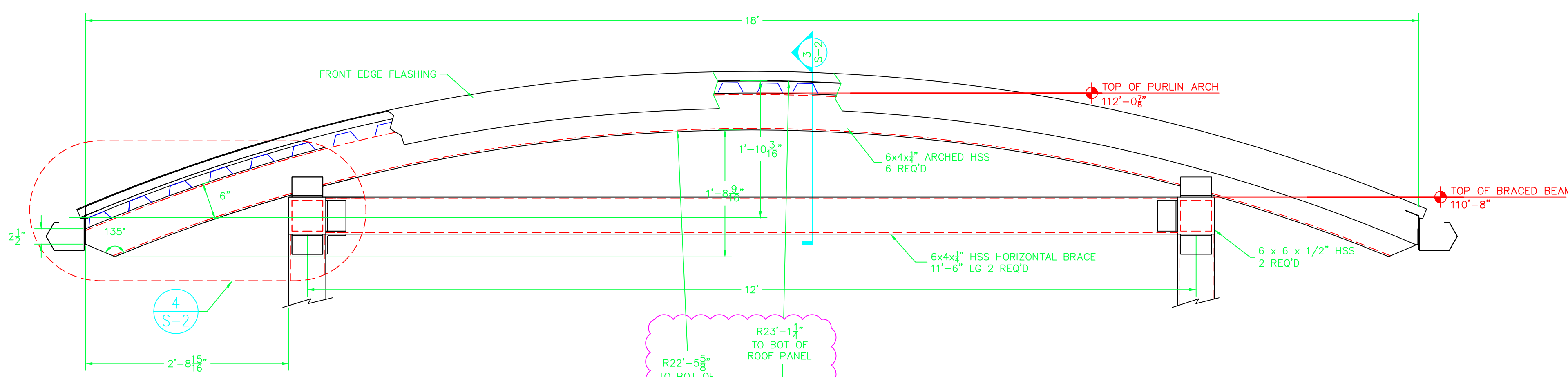
1929 NORTH BROAD STREET
FREMONT, NE 68025



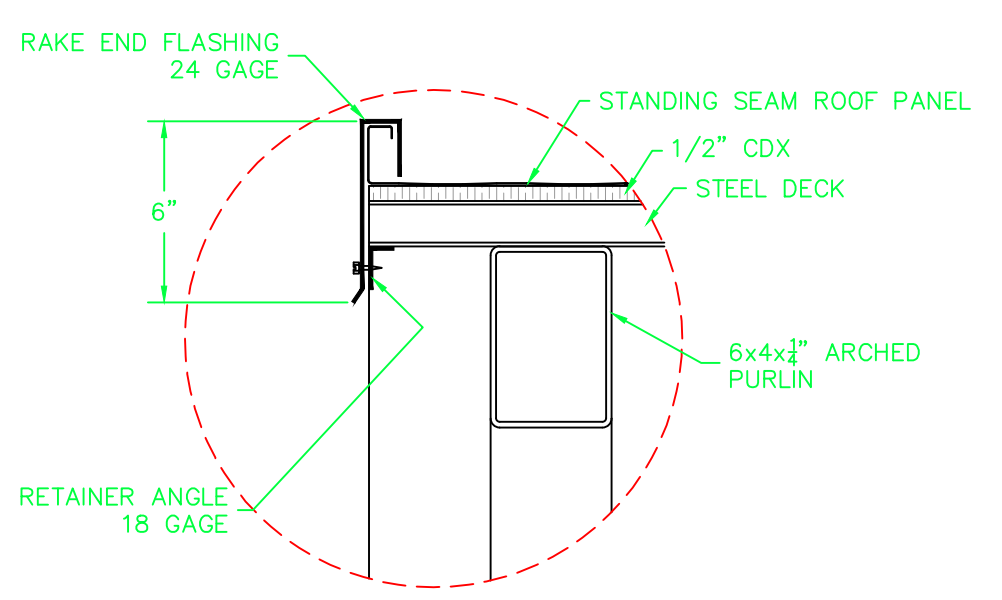
CANOPY COLUMN SECTION 1
SCALE: 1/2" = 1'-0"



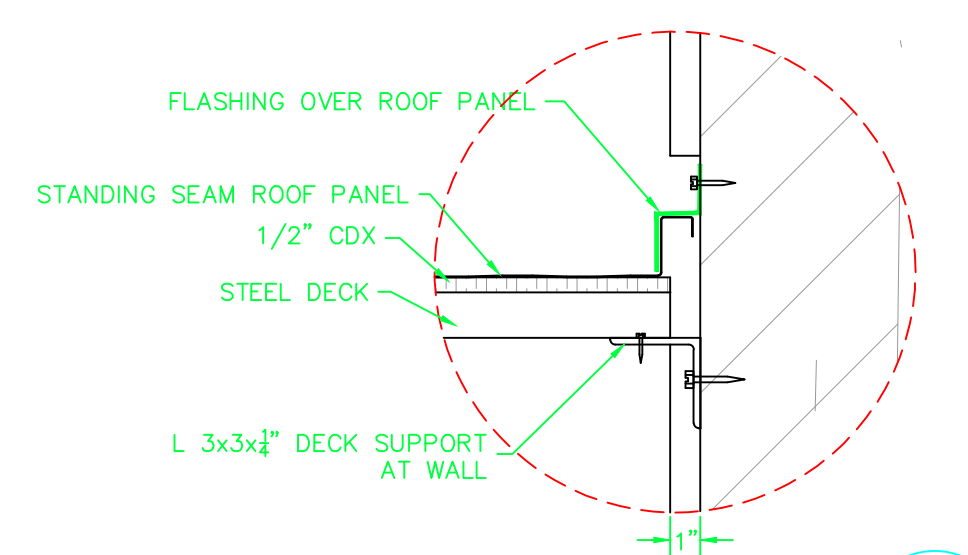
PURLIN/COLUMN CONNECTION 4
SCALE: 3/4" = 1'-0"



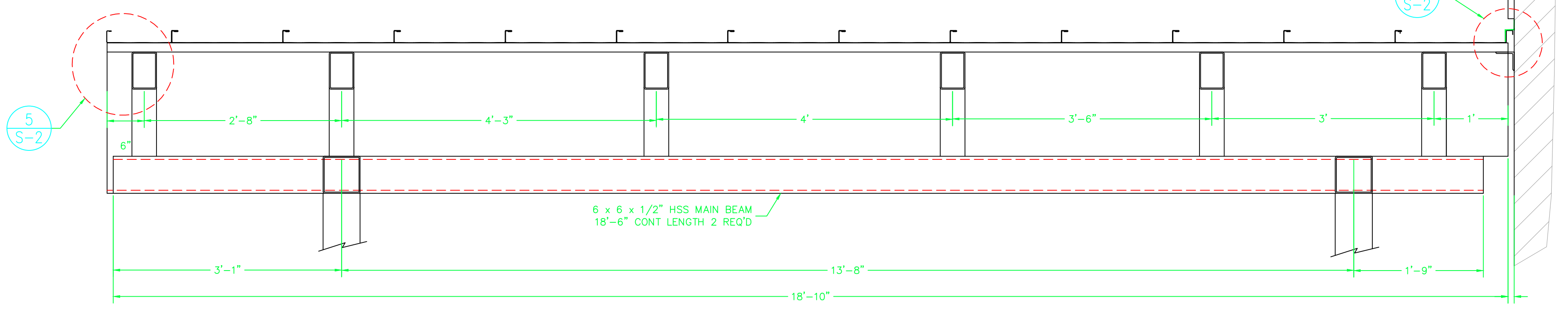
CANOPY ROOF SECTION 2
SCALE: 1/2" = 1'-0"



RAKE END SECTION 5
SCALE: 3/4" = 1'-0"



ROOF TO WALL CONNECTION 6
SCALE: 1/2" = 1'-0"



CANOPY ROOF SECTION 3
SCALE: 1/2" = 1'-0"

- NOTES:
1. INSTALL 1/4" PLATE AND SEAL WELD AT END OF ALL STRUCTURAL STEEL T.S. MEMBERS.
 2. GUTTER, ROOF PANELS AND FLASHING TO BE 50 KSI YIELD STRENGTH PAINTED GALVALUME STEEL.
 3. CONCRETE TO BE 3000 PSI MINIMUM STRENGTH.
 4. CONCRETE SHALL NOT BE PLACED DURING FREEZING CONDITIONS AND SHALL BE PROTECTED FROM FREEZING FOR A MINIMUM OF 5 DAYS AFTER PLACING.
 5. ATTACH DECK TO STRUCTURAL STEEL TUBE AT EACH FLUTE OF DECK USING 5/8" DIAMETER PUDDLE WELD OR USING 12-24x1" T-4 OR EQUIVALENT STEEL SCREWS.
 6. ATTACH ROOF PANEL THRU PLYWOOD TO STEEL DECK WITH HIDDEN ROOF PANEL CLIPS USING TWO 12-14x1 1/2" T-3 PANHEAD SCREWS PER CLIP. SPACING BETWEEN CLIPS TO BE NO GREATER THAN 2 FEET ALONG OUTER 4 FEET OF ROOF EDGES AND NO GREATER THAN 3 FEET FOR REMAINDER OF ROOF
 7. PANELS TO BE STANDING SEAM, 24 GAGE GALVALUME COATED, MECHANICALLY SEALED AND 16" SPACING BETWEEN 1 1/2" HIGH RIBS.
 8. INSTALL SNOW GUARDS ON EACH PANEL OF CANOPY ROOF ON BOTH ROOF EDGES TO REDUCE SLIDING SNOW. SNOW GUARD TO MATCH TYPE AND STYLE OF GUARDS ON MAIN ENTRANCE CANOPY.
 9. ALTERNATE CONNECTION METHOD IS TO FIELD DRILL OR FIELD WELD.



PROPOSAL FORM – Due 11am CST, Friday, February 7, 2020
Construct Awning at Fremont Friendship Center
1730 W 16th Street
Fremont, NE 68025

To the Honorable Mayor and City Council:

We, _____, the undersigned, having examined the Engineered Drawing, Specifications, CDBG information and Contract Documents; and the location and character of work to be done, hereby agree to furnish all tools, labor and materials to construct awning at the Fremont Friendship center.

Acknowledgement of Addendum #1: _____

TOTAL BID: _____

Date Work Can Begin: _____

Estimated Time Needed
To Complete Project: _____

Please list the consecutive years of experience your company has in this area of work. _____

Please list the number of projects you have installed similar to this size and scope. _____

Please list (2) references (including contact person, address, phone number and type of project) for projects of similar size and scope you have installed in Nebraska.

1.

2.

We agree to commence work as soon as practical after execution of the contract and complete the work within the timeframe described. We agree to the assessment of liquidated damages in the amount of One Hundred (\$100) dollars per working day after the time of completion has expired.

Anticipated Starting Date: _____

Anticipated Completion Date: _____

Contractor

Signature

Address

Name – Please Print

City, State, Zip

Telephone Number

Date

Email Address