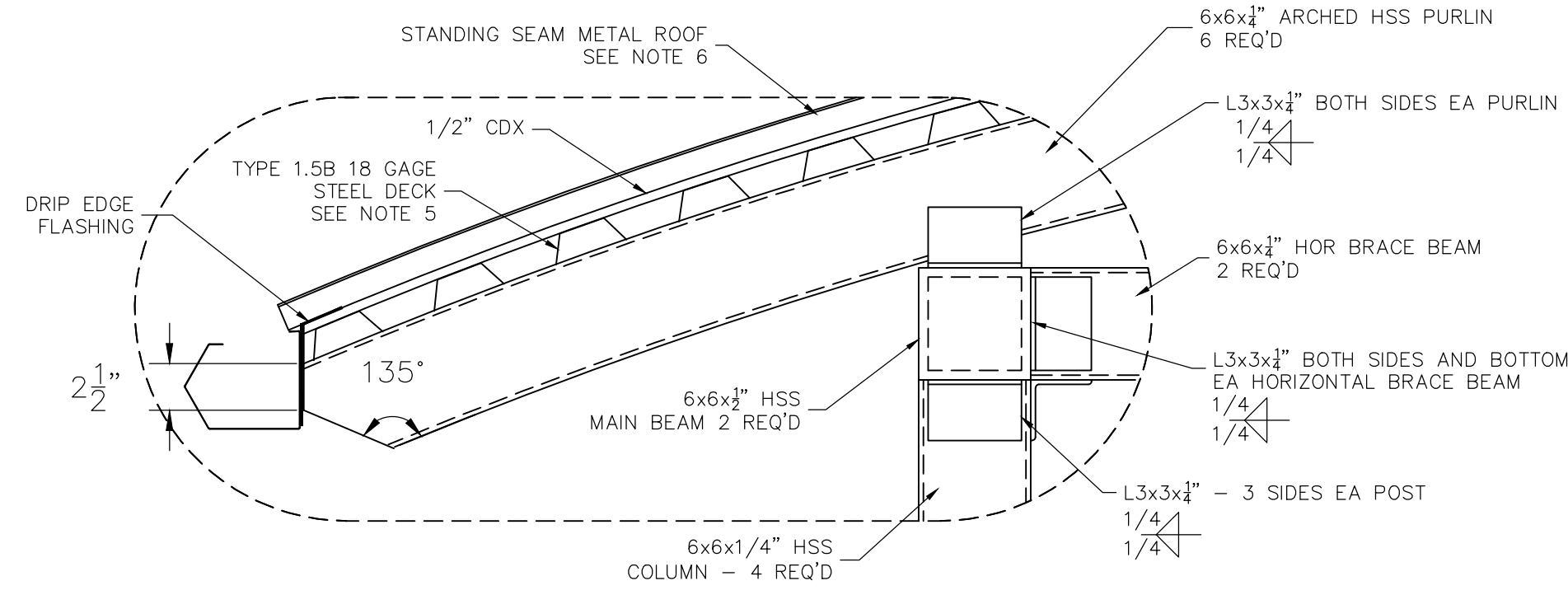
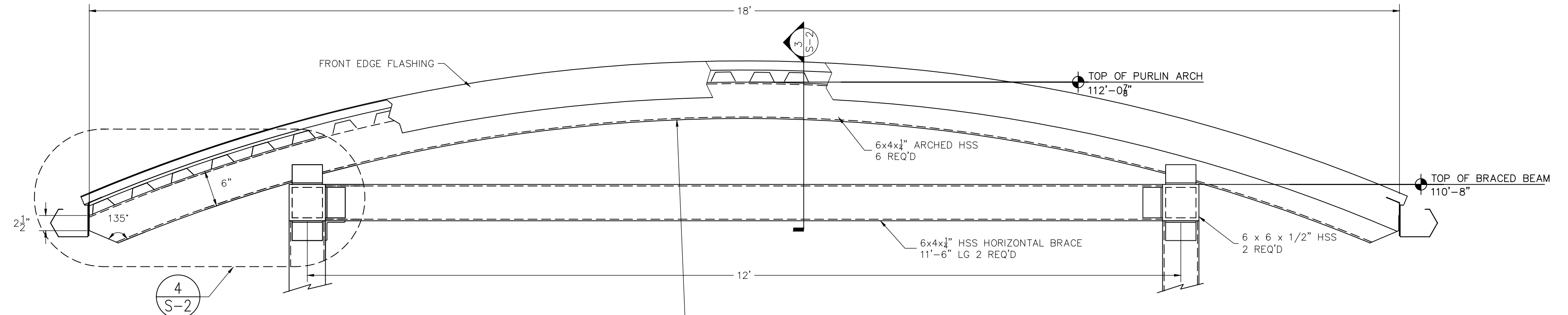


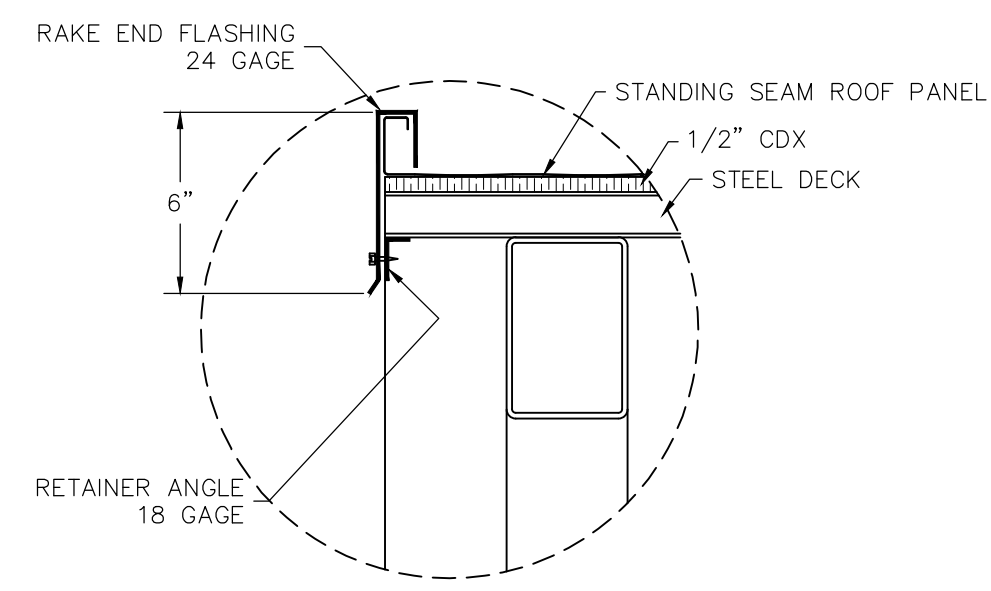
CANOPY COLUMN SECTION 1 S-2
SCALE: 1/2" = 1'-0"



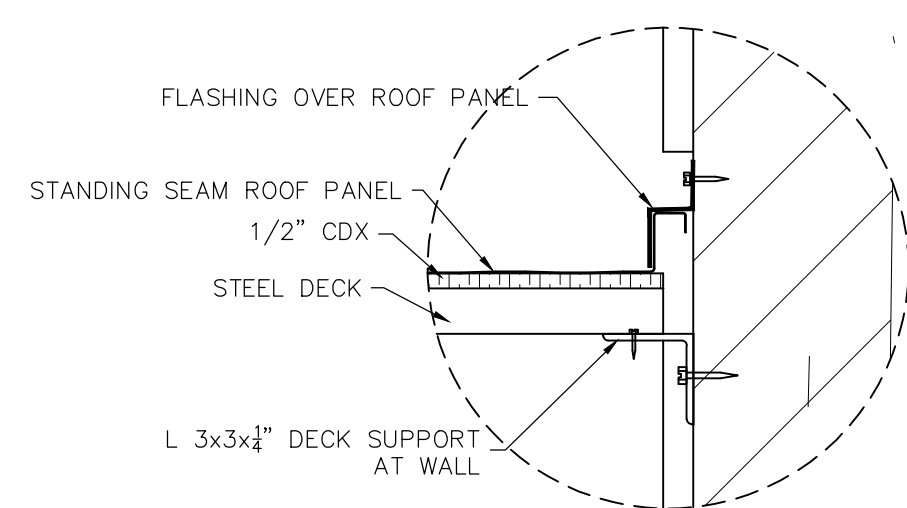
PURLIN/COLUMN CONNECTION 4 S-2
SCALE: 3/4" = 1'-0"



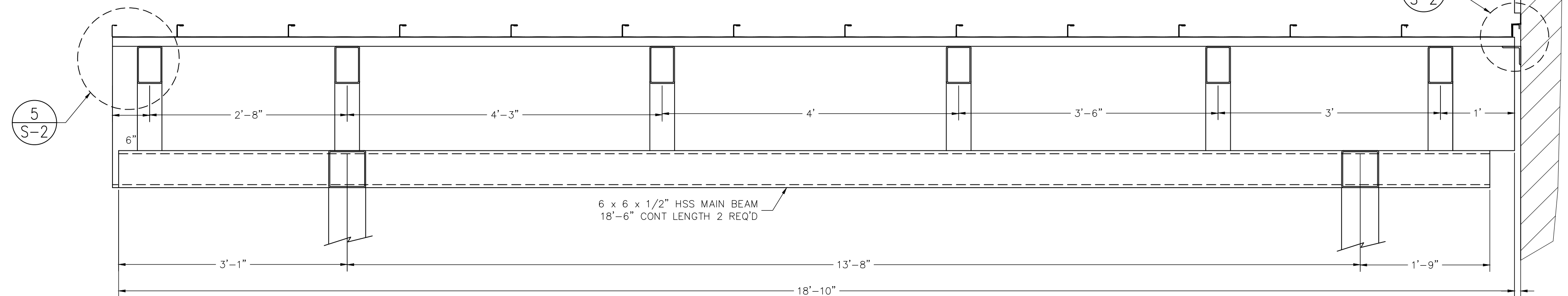
CANOPY ROOF SECTION 2 S-2
SCALE: 1/2" = 1'-0"



RAKE END SECTION 5 S-2
SCALE: 3/4" = 1'-0"

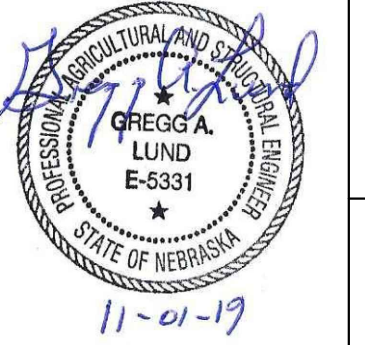


ROOF TO WALL CONNECTION 6 S-2
SCALE: 1/2" = 1'-0"



CANOPY ROOF SECTION 3 S-2
SCALE: 1/2" = 1'-0"

- NOTES:
1. INSTALL 1/4" PLATE AND SEAL WELD AT END OF ALL STRUCTURAL STEEL T.S. MEMBERS.
 2. GUTTER, ROOF PANELS AND FLASHING TO BE 50 KSI YIELD STRENGTH PAINTED GALVALUME STEEL.
 3. CONCRETE TO BE 3000 PSI MINIMUM STRENGTH.
 4. CONCRETE SHALL NOT BE PLACED DURING FREEZING CONDITIONS AND SHALL BE PROTECTED FROM FREEZING FOR A MINIMUM OF 5 DAYS AFTER PLACING.
 5. ATTACH DECK TO STRUCTURAL STEEL TUBE AT EACH FLUTE OF DECK USING 5/8" DIAMETER PUDDLE WELD OR USING 12-24x1" T-4 OR EQUIVALENT STEEL SCREWS.
 6. ATTACH ROOF PANEL THRU PLYWOOD TO STEEL DECK WITH HIDDEN ROOF PANEL CLIPS USING TWO 12-14x1 1/2" T-3 PANHEAD SCREWS PER CLIP. SPACING BETWEEN CLIPS TO BE NO GREATER THAN 2 FEET ALONG OUTER 4 FEET OF ROOF EDGES AND NO GREATER THAN 3 FEET FOR REMAINDER OF ROOF.
 7. PANELS TO BE STANDING SEAM, MECHANICALLY SEALED AND 16" SPACING BETWEEN RIBS.
 8. INSTALL SNOW GUARDS ON CANOPY ROOF TO REDUCE SLIDING SNOW ON BOTH SIDES.



FRIENDSHIP CENTER CANOPY SECTIONS AND DETAILS

GLUND CONSULTING LLC
glund5251@msn.com

DRAWN BY: 11-01-19 GAL
APPROVED: 11-02-19 GAL

SCALE: 1" = 1'
SHEET: S-2

1929 NORTH BROAD STREET
FREMONT, NE 68025